



# BASIC GLOVE BOXES

Available in bench top Polymer style or Aluminum Glove Boxes, these simple, airtight glove units can control oxygen, moisture, temperature, or a combination of all three. Applications include use as a containment glove box or simple dry gas purge box to control moisture or oxygen levels. Automatic controls can be added for more critical or precise applications.

All Basic COY Glove Boxes are fabricated to meet rigorous standards for cleanliness and durability. Solvent welding ensures an air-tight structure that won't leak.



**POLYMER GLOVE BOX**



**ALUMINUM GLOVE BOX**

The door gaskets provide a safe positive seal without interfering with full access to the glove box interior. The viewing slope allows the user an uninterrupted view of the work in progress. Gloves are easily exchanged/ replaced in a matter of minutes. Pressure Relief Valves and Manual Inlet Ball Valves make it easy to purge in a desired gas mix for oxygen or moisture control.



**The Patented Diaphragm Top**, manufactured from durable PVC vinyl, allows easy access into the rigid COY Glove Boxes by expanding and contracting to compensate for changing volume levels caused by hands being inserted into and removed from the glove box. This minimizes gas expelled into the lab atmosphere and increases comfort, as the user no longer has to fight the gloves.

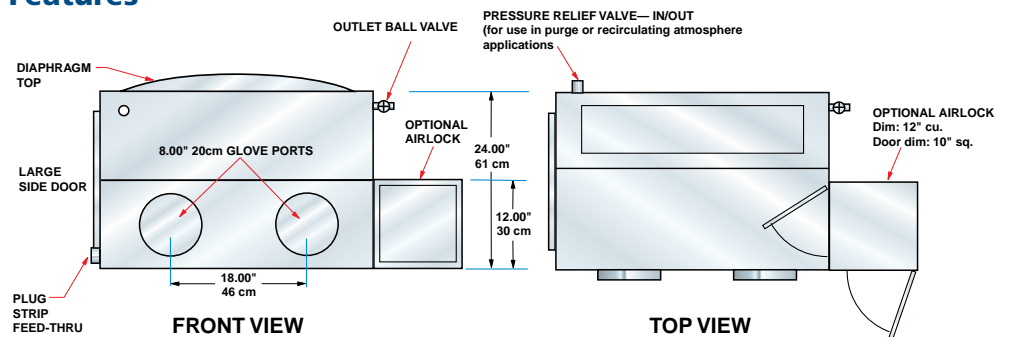
## Standard Equipment

- Sleeve Length Neoprene Gloves
- Manual Ball Valve
- Patented Diaphragm Top (see sidebar)
- Adjustable Shelves
- Large Side Door
- Automatic Pressure Relief Valve
- Interior 6 Outlet Plug Strip

## Sizes and part numbers

Part #	Polymer Glove Box	Dimensions
8307-025	2 ft. Polymer Glove Box (1 person unit)	24" L x 24" D x 24" H
8307-030	3 ft. Polymer Glove Box (1 person unit)	36" L x 24" D x 24" H
8307-040	4 ft. Polymer Glove Box (1 person unit)	48" L x 24" D x 24" H
8307-050	5 ft. Polymer Glove Box (2 person unit)	60" L x 24" D x 24" H
	<b>Aluminum Glove Box</b>	
8307-060	1 Person Aluminum Glove Box	42" L x 24" D x 36" H
8307-070	2 Person Aluminum Glove Box	72" L x 24" D x 36" H

## Features





**Wolflabs**

# Wolf Laboratories Limited

[www.wolflabs.co.uk](http://www.wolflabs.co.uk)

Tel: 01759 301142

Fax: 01759 301143

[sales@wolflabs.co.uk](mailto:sales@wolflabs.co.uk)



**Use the above details to contact us if this literature doesn't answer all your questions.**

**Pricing on any accessories shown can be found by keying the part number into the search box on our website.**

The specifications listed in this brochure are subject to change by the manufacturer and therefore cannot be guaranteed to be correct. If there are aspects of the specification that must be guaranteed, please provide these to our sales team so that details can be confirmed.

